

INSTALLATION AND OPERATION INSTRUCTIONS FOR THE



RCT-MLT REMOTE CONTROL KIT

INTRODUCTION

The RCT-MLT Remote Control has been approved for use with decorative gas fireplaces and wall heaters which are certified and listed by UL, A.G.A., CGA, and Warnock Hersey. Refer to the gas appliance instruction manual.

The Remote has a hand held transmitter that can be used as a remote on/off or as a thermostat. The display of the transmitter shows the current room temperature, target temperature, timer setting, on/off status and low battery indicator. Electrical ratings for the receiver are: 110 VAC, 60 Hz, 6 W.

CHECK CONTENTS OF SHIPPING CARTON

Compare contents of carton in Figure 1 with the actual parts received. If any parts are missing or damaged, contact your dealer before starting installation. DO NOT install a damaged remote control kit.

INSTALLATION PRECAUTIONS

This Remote Control Kit is tested and safe when installed in accordance with this installation manual. It is your responsibility to read all instructions before starting installation and to follow these instructions carefully during installation.

Installation of this kit MUST be done by a qualified service technician.

NOTE: The factory installed junction box in the gas fireplace must be wired with 110 VAC before installing this kit. See Section 1.1.

The remote control is carefully engineered and must be installed only as specified. If you modify it or any of its components, you will void the warranty and you may possibly cause a fire hazard.

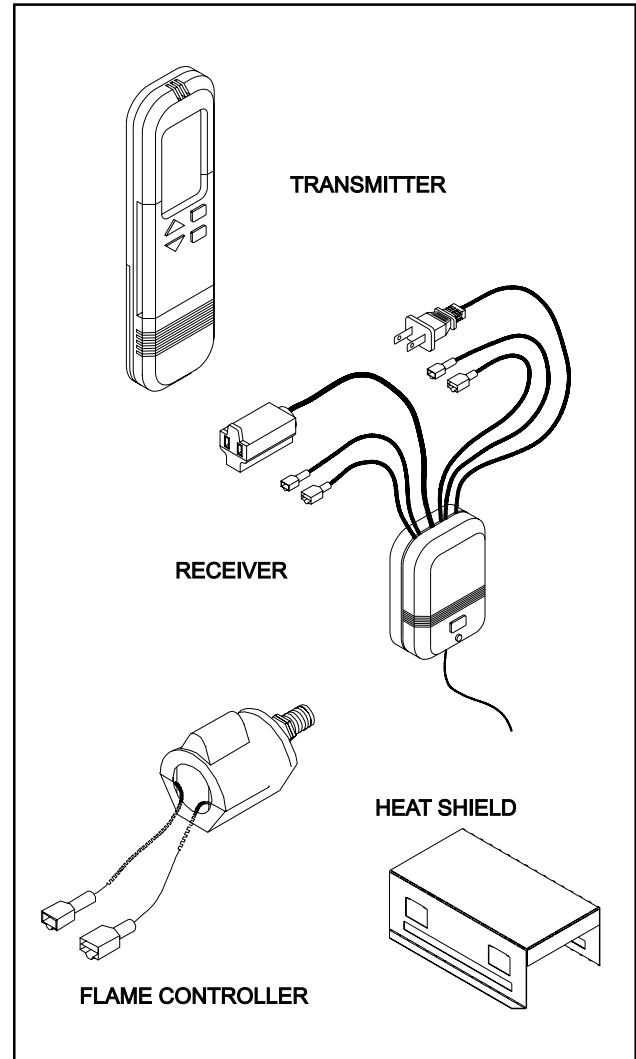


FIGURE 1

CAUTION: All wiring should be done by a qualified electrician and shall be in compliance with local codes and with the National Electric Code ANSI/NFPA No. 70-current (in the United States), or with the current CSA C22.1 Canadian Electric Code (in Canada).

WARNING: DO NOT CONNECT 110-120 VAC WIRING TO THE GAS CONTROL VALVE OF THIS APPLIANCE.

FCC REQUIREMENTS

Warning: Changes or modifications to this unit not expressly approved by the party responsible for compliance could void the user's authority to operate the equipment.

NOTE: This equipment has been tested and found to comply with the limits for a Class B digital device, pursuant to Part 15 of the FCC Rules. These limits are designed to provide reasonable protection against harmful interference in a residential installation. This equipment generates, uses, and can radiate radio frequency energy and, if not installed and used in accordance with the instructions, may cause harmful interference to radio communications. However, there is no guarantee that interference will not occur in a particular installation. If this equipment does cause harmful interference to radio or television reception, which can be determined by turning the equipment off and on, the user is encouraged to try to correct the interference by one or more of the following measures:

- Reorient or relocate the receiving antenna.
- Increase the separation between the equipment and receiver.
- Connect the equipment into an outlet on a circuit different from that to which the receiver is connected.
- Consult the dealer or an experienced radio TV technician for help.

CANADIAN EQUIPMENT REQUIREMENTS

This digital apparatus does not exceed the (Class A/ Class B)* limits for radio noise emissions from digital apparatus set out in the Radio Interference Regulations of the Canadian Department of Communications. Le présent appareil numérique n'émet pas de bruits radioélectriques dépassant les limites applicables aux appareils numériques (de la class A/de la class B)* prescrites dans le Règlement sur le brouillage radioélectrique édicté par le ministère des Communications du Canada.

This device complies with RSS-210 of Industry and Science Canada. Operation is subject to the following two conditions: (1) this device may not cause interference, and (2) this device must accept any interference, including interference that may cause undesired operation of the device.

1.0 INSTALLATION INSTRUCTIONS

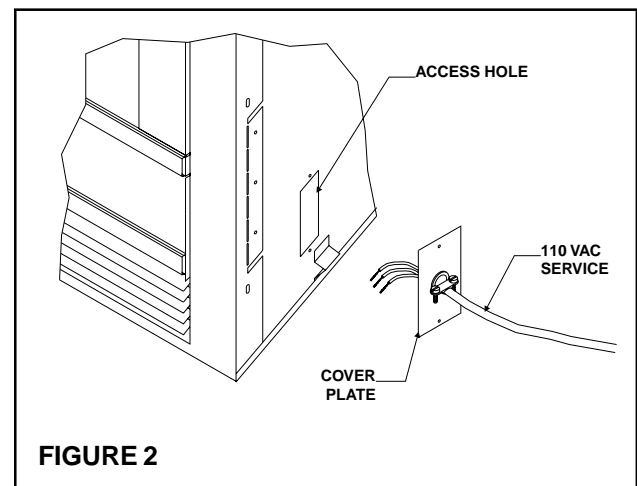
1.1 INSTALLING ELECTRICAL SERVICE TO THE JUNCTION BOX

WARNING: TURN ELECTRICAL POWER OFF AT THE CIRCUIT BREAKER BEFORE BEGINNING THIS INSTALLATION.

NOTE: Some appliances do not have a cover plate. Instead, there is a hole through which the Romex clamp is attached to the outer wrap.

1. Remove the electrical cover plate from the lower side of the fireplace. Remove the knock-out from the plate and attach the romex clamp (screws to the outside). See Figure 2.
2. Feed the electrical service wires through the romex clamp and secure the wires to the clamp.
3. Using the wire nuts provided, connect the service wires to the junction box. The black wires to the black service wire, the white wires to the white service wire, and the service ground wire to the ground stud of the junction box.
4. Re-attach the cover plate to the outside of the fireplace.

WARNING: LEAVE ELECTRICAL POWER OFF AT THIS TIME. DO NOT RESTORE POWER UNTIL THE SMART-STAT SYSTEM IS COMPLETELY INSTALLED. (SEE 2.0).



1.2 INSTALLING THE RCT-MLT REMOTE RECEIVER

1. Place the receiver into the base pan of the fireplace near the junction box. The receiver **MUST** be on the right front side of the base pan of the fireplace, directly behind the bottom louvers. (See Figure 3)

CAUTION: LAY THE RECEIVER AND WIRES FLAT ON THE BASE PAN TO AVOID POTENTIAL OVER-HEATING PROBLEMS.

- Find the red and brown pigtail wires (labeled "FOR USE WITH REMOTE OR WALL SWITCH ONLY") which are attached to the fireplace ON/OFF rocker switch. Connect these pigtail wires to the low voltage wires marked "MAIN VALVE" that are attached to the remote receiver by plugging in the male to female connectors.
- Turn the ON/OFF rocker switch of the fireplace to the "OFF" position.

DO NOT PLUG THE RECEIVER INTO THE JUNCTION BOX.

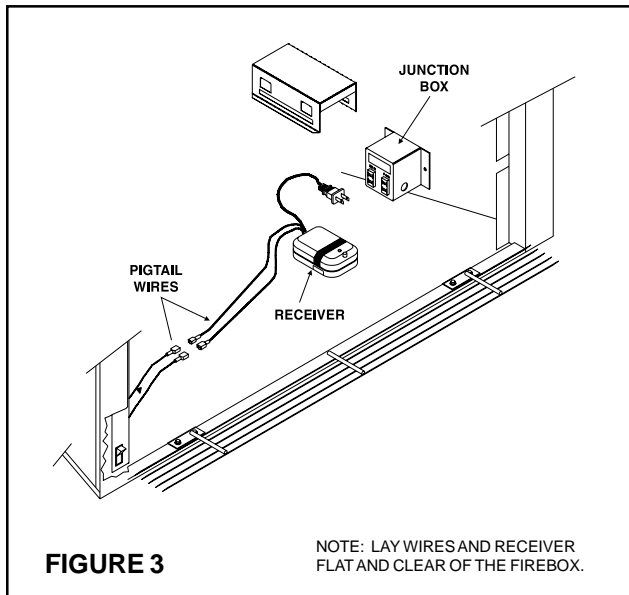


FIGURE 3

FAN (IF OPTIONAL FAN IS USED)

- Plug the cord from the blower (2-prong male plug) into the 15-inch black cord (2-hole female plug end) of the remote receiver. NOTE: Unplug the blower cord from the fireplace junction box if it has already been installed there. (See Figure 4)
- Disconnect the two wires exiting the front end of the fireplace junction box from the fan speed control (rheostat) and fan temperature sensor switch. Connect these two junction box wires together.

NOTE: The fan temperature sensor switch and fan speed control (rheostat) have now been taken out of the circuit and are inoperable.

- Carefully remove flame adjustment control and discard the screw and manual variable regulator knob from the gas valve. Unscrew and discard the nut from the regulator. (See Figure 5)
- Thread the flame adjustment solenoid into the gas valve regulator. (1 to 2 turns **ONLY**).

DO NOT TIGHTEN OR DAMAGE MAY OCCUR.

WARNING: WHEN REMOVING THE TAPE FROM THE END OF THE SOLENOID, BE CAREFUL THAT THE LOOSE PISTON REMAINS INSIDE THE SOLENOID.

- Connect the leads from the solenoid to the leads marked "FLAME" from the remote receiver by plugging in male to female connectors.
- Remove the manifold pressure tap plug at the lower right side of the gas valve or on the front side of your valve, depending on which style you have. Install a manometer into the pressure tap.
- Plug the 24-inch black cord (2-prong male plug end) of the remote receiver into the female receptacle (marked "REMOTE") on the face of the junction box. (See Figure 3). The receiver will rest on the base pan of the fireplace.
- Place heat shield over the receiver as indicated by Figure 4. Be sure that heat shield does not rest on any wires. NOTE: Heat shield will not work in insert units because of space limitations.
- Turn the electrical service to the junction box on at the circuit breaker.

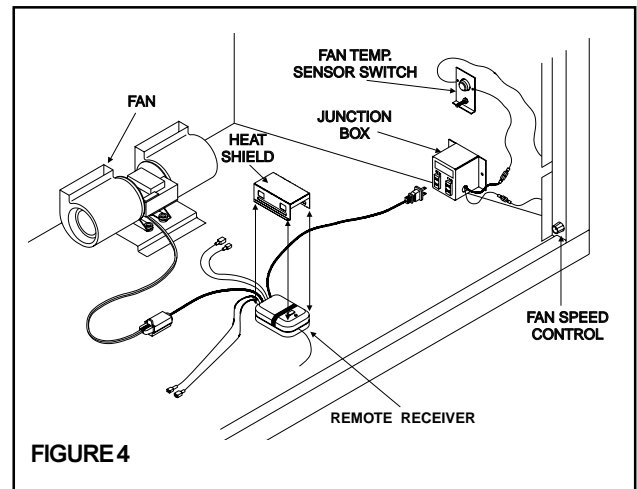


FIGURE 4

2.0 OPERATING INSTRUCTIONS

CAUTION: This remote will automatically turn the fireplace off after 6 hours of continuous operation.

2.1 CHILD PROOF FEATURE

- Slide open the battery door to expose the child-proof switch.
- Slide the child-proof switch to CP position to enter Child Proof Mode. Child Proof will appear on the LCD.
- In child-proof mode the buttons will be inoperable.
- Press the Up and Down arrow (▲ and ▼) buttons in the following sequence (Up/Down/Down/Up/Down) to temporarily enable the buttons. Child Proof will disappear from the LCD.
- After 2 minutes the transmitter will automatically go back to Child Proof Mode.
- Slide the child-proof switch back to the other position to turn off the Child Proof Mode.

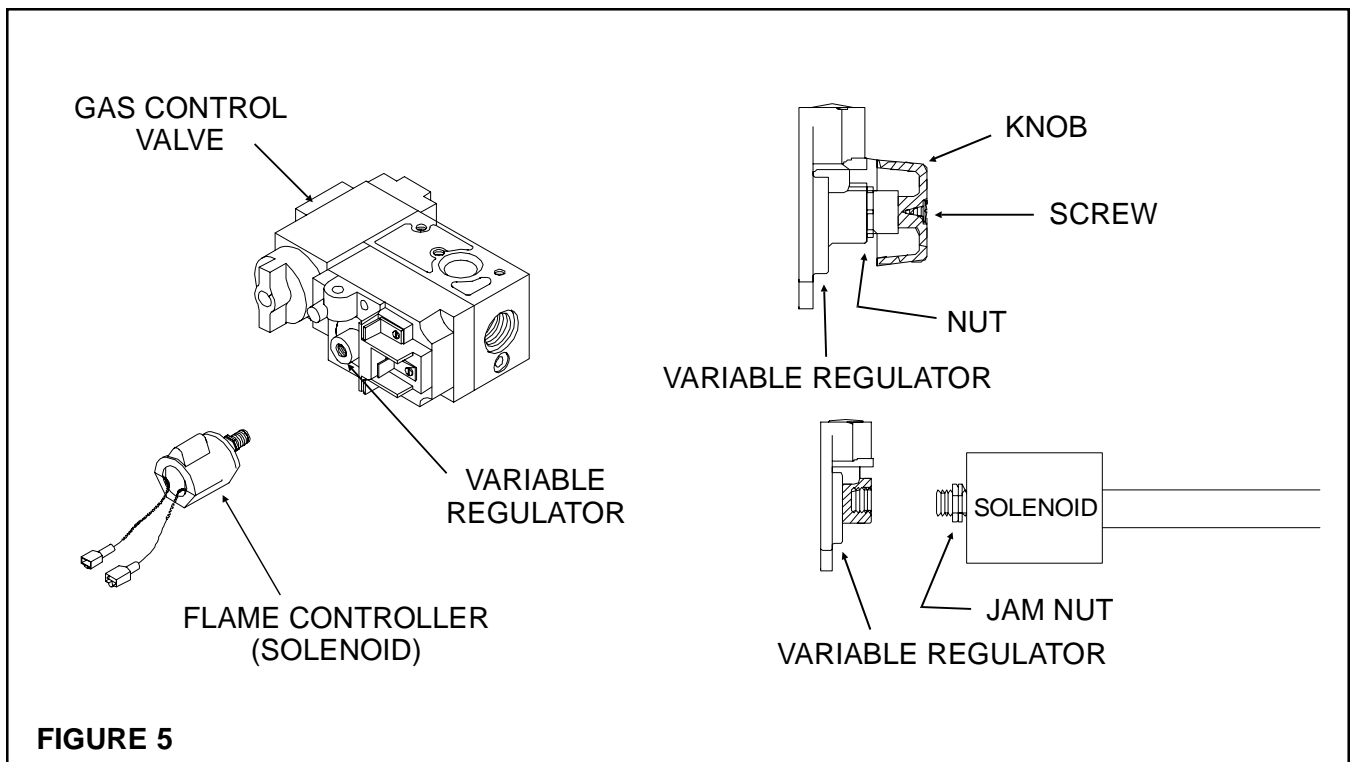


FIGURE 5

1. STANDING PILOT APPLIANCES:

FOLLOW SAFETY AND LIGHTING INSTRUCTIONS TO LIGHT THE PILOT AND SET THE CONTROL VALVE KNOB TO "ON". THEN FOLLOW THE OPERATING PROCEDURES.

2. OPERATING MODES

The RCT-MLT Remote has five operating modes - Manual, Thermostat, Timer, Flame Adjustment, and Fan Adjustment. **NOTE:** The Timer only works in the thermostat mode.

1. You must ALWAYS adjust the target temperature setting on the transmitter to a point GREATER than room temperature to enable the device to work in the Manual, Thermostat or Timer modes. If the Target Temperature setting is LESS than room temperature the Thermostat mode will override and operate the fireplace.
2. You must also ALWAYS push the ON/OFF button to "ON" for ALL five operating modes.

TRANSMITTER ACCESS DOOR

The access door on the front of the transmitter must be opened to operate the "TIME CANCEL", "TIME SET", "FLAME", and "FAN" buttons. Lift up on the tab on the right side of the transmitter to open access door. (See Figure 6).

SETTING THE ON/OFF BUTTON

Push the ON/OFF button once to turn the remote control "ON". The "ON" indicator on the LCD will be displayed.

SETTING TIME

1. Press and hold the "Time Set" button for approximately 2 seconds. The hour display will flash. Use the "UP ARROW" and "DOWN ARROW" buttons to set the hour.
2. Press and hold the "Time Set" button again and the minute display will flash. Use the "UP ARROW" and "DOWN ARROW" buttons to set the minutes.
3. Press the "Time Set" button again to exit setting.

SETTING TEMPERATURE

Adjust the target temperature between 45 degrees F and 90 degrees F, with increments of 1 degree F. Push the "UP ARROW" button to increase the temperature setting and the "DOWN ARROW" button to decrease the temperature setting.

WARNING: The gas appliance will not shut off if the transmitter batteries go dead. This may create a potential hazard. Manually turn the appliance off until charged batteries are restored.

2.2 OPERATING MODES

A. MANUAL OPERATION

1. Set the target temperature to any temperature setting.
2. Press the ON/OFF button once to light the fireplace
- Push the button again to turn it off.

NOTE: If the room temperature exceeds the target temperature - the thermostat will automatically turn the fireplace ON/OFF.

B. TIMER OPERATION (Thermostat Mode Only)

1. Press the "AUTO" button to "ON".
2. Set the desired target temperature ABOVE room temperature.

NOTE: If the room temperature becomes greater than the target temperature - the thermostat will override the timer and turn off the fireplace. The fireplace may re-light with time remaining on the timer once the room temperature drops below the target temperature setting.

3. Set the timer to the length of time you want the fireplace to operate (1 to 120 minutes).
 - Press the "TIME SET" key once, the time set display "----" will blink.
 - Press the "UP ARROW" and "DOWN ARROW" keys to select the time setting. The LCD will display the time chosen.
 - Press the "TIME SET" key again to activate.
 - After the chosen time has expired, the LCD will display "----" and "OFF".
 - The timer setting can be cancelled at any time by pressing the "TIME CANCEL" button.
4. The fireplace will turn "OFF" at the end of the time setting OR when the room temperature becomes greater than the target temperature.

C. THERMOSTAT OPERATION

1. Press the "AUTO" button to "ON".
2. Set the target temperature to the desired temperature for the room.

The thermostat will automatically turn the fireplace on as long as the target temperature is greater than the actual room temperature. When the room temperature is greater than the target temperature, the fireplace will turn off.

D. FAN OPERATION

1. Open door and press fan button to adjust fan speed to LOW, MED, HIGH, or OFF. Press once to activate mode - press again to change mode.

E. FLAME ADJUSTMENT

1. Open door and press flame button to adjust flame height to LOW/HIGH. Press once to activate mode - press again to change mode.

2.3 SMART-STAT BATTERIES

The transmitter uses 3 AAA-size batteries. Replace these batteries as required and at least once a year.

WARNING: DISCONNECT REMOTE CONTROLS IF YOU ARE ABSENT FOR EXTENDED TIME PERIODS. THIS WILL PREVENT ACCIDENTAL FIREPLACE OPERATION.

3.0 IMPORTANT SAFETY FEATURE

You can set a private code into your system to prevent accidental operation by other transmitters near by. See Figure 7.

3.1 CODING INSTRUCTIONS

Remove the cover on the back of the transmitter, by sliding it off where indicated, to expose the code switches. Slide the code switches to your choice of ON or OFF positions. **FACTORY SETTING IS ALL "OFF"**. Next, slide the code switches on the back of the receiver to exactly match the settings on the transmitter. Replace the transmitter cover. The system is now ready to operate.

